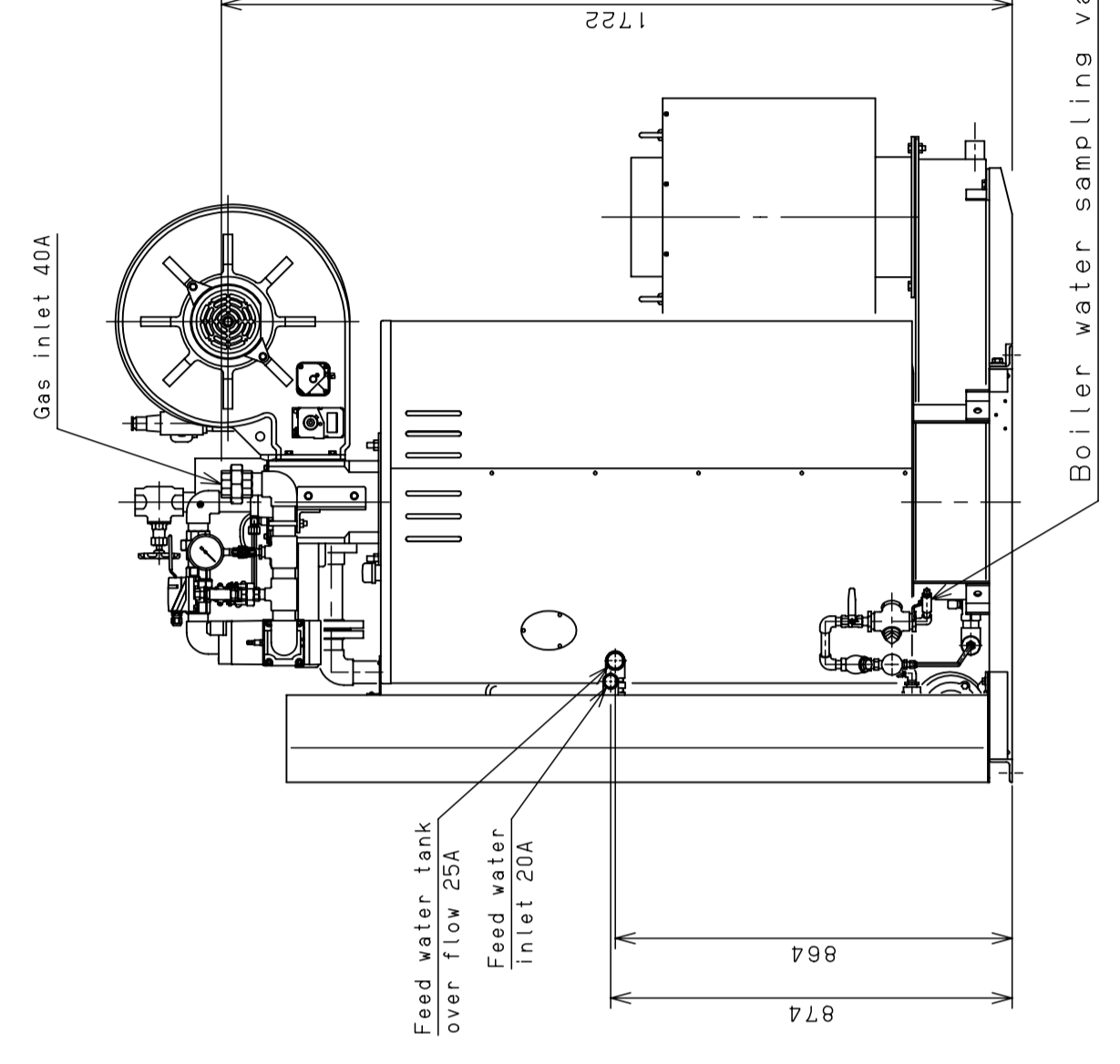
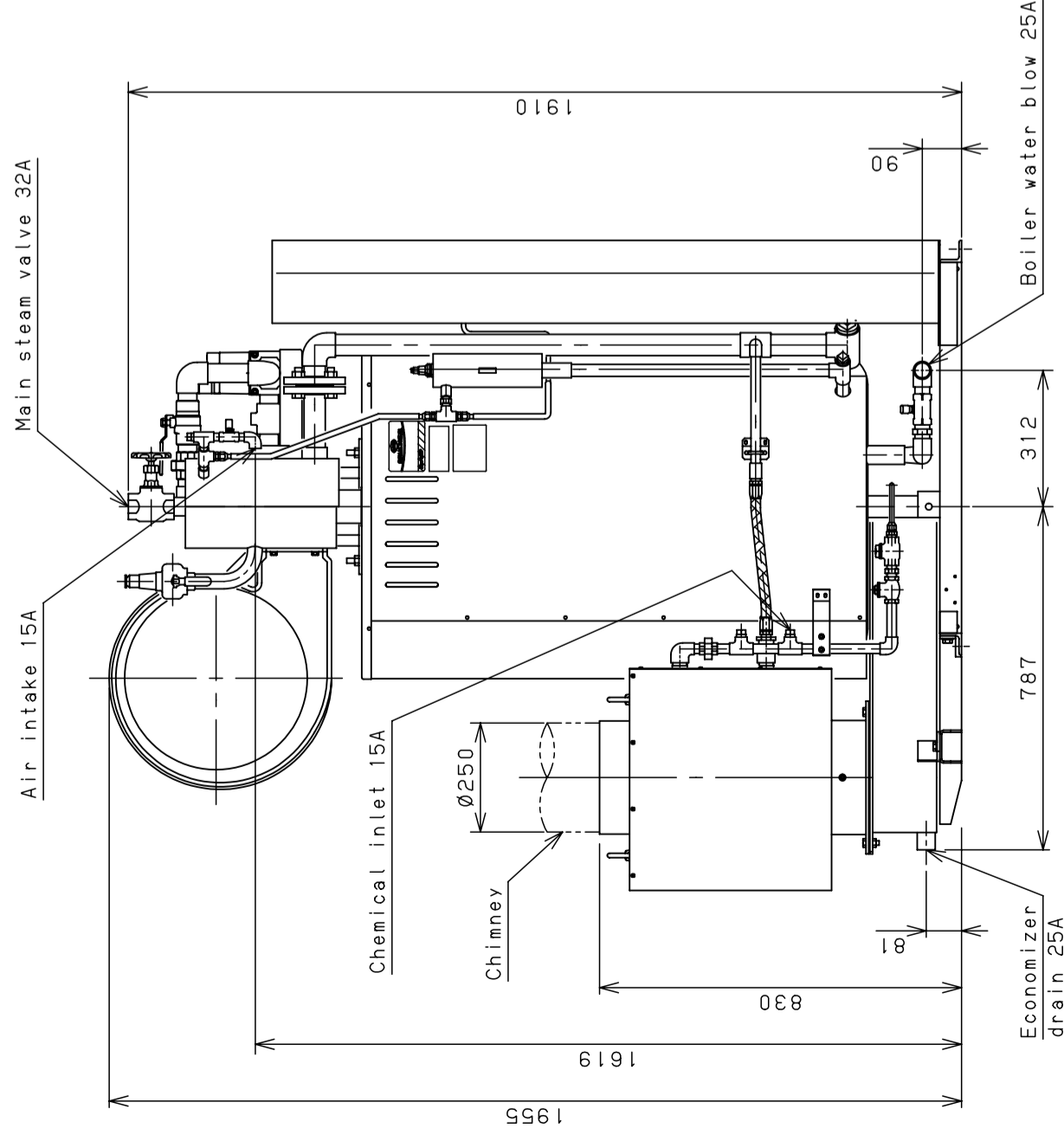
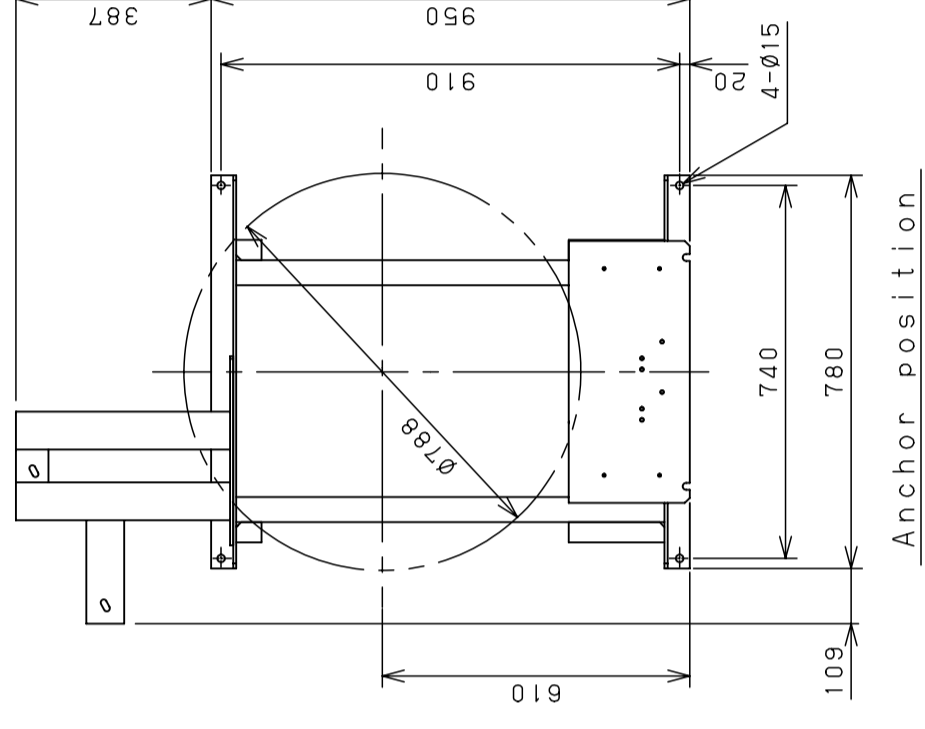


MODEL	Sid-500PN	
Equivalent evaporation	Kg/h	500
Max. pressure	MPa	0.98
Boiler efficiency	%	92
Fuel type	- 13A-LPG	
Fuel consumption	-	
13A	LOW 40.8MJ/m <sup>3</sup> (N)	m <sup>3</sup> (N)/h 30.2
LPG (propane)	LOW 93.7MJ/m <sup>3</sup> (N)	m <sup>3</sup> (N)/h 13.1
LPG (butane)	LOW 46.4MJ/kg	kg/h 26.4
LPG (butane)	LOW 118.9MJ/m <sup>3</sup> (N)	m <sup>3</sup> (N)/h 10.3
LPG (butane)	LOW 45.7MJ/kg	kg/h 26.8
Supply gas pressure	13A KPa	2.0±0.5
	LPG KPa	2.8±0.5
Weight	kg	750
Weight in operation	kg	840
Available power	KW	1.55
Type of boiler	- Once-Through Boiler	

\*Above specifications are based on the following standard values:  
 Steam pressure =0.49MPa  
 Feed water temp. =150  
 Feed air temp. =350  
 Low heating value =

\*The following tolerances are accepted as unavoidable:  
 Measurement error in boiler efficiency ±2%  
 Measurement error in combustion(input) ±3.5%



APPROVED BY		CUSTOMER	
T. Kameyama			
T. Nishiyama			
DESIGNED BY	SCALE 1/15	NAME	BOILER OUTLINE DIMENSIONS
DRAWN BY K. Ohki	DATE 14. 3. 3		Sid-500PN
REVISIONS		DWG. No. SD50P-NG1-NNN1043030	