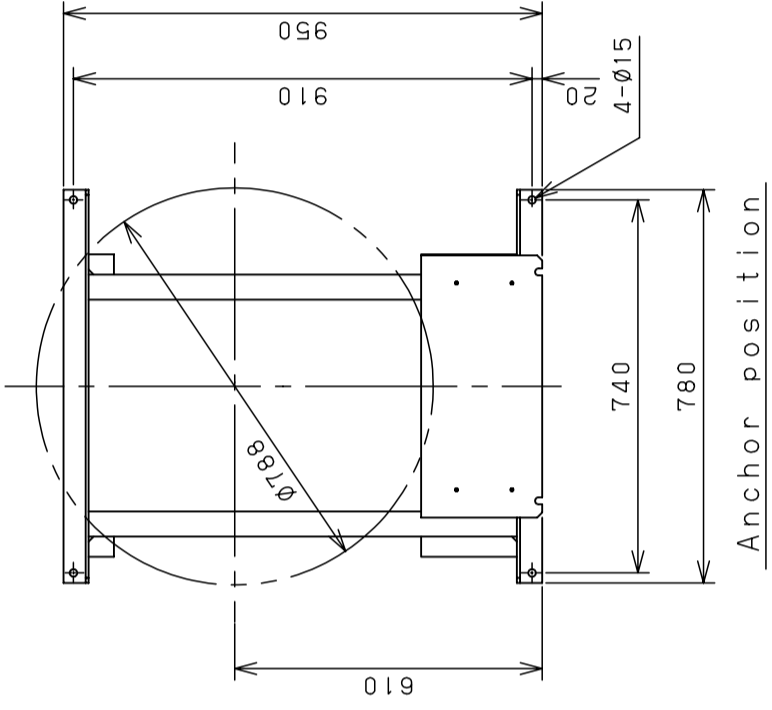
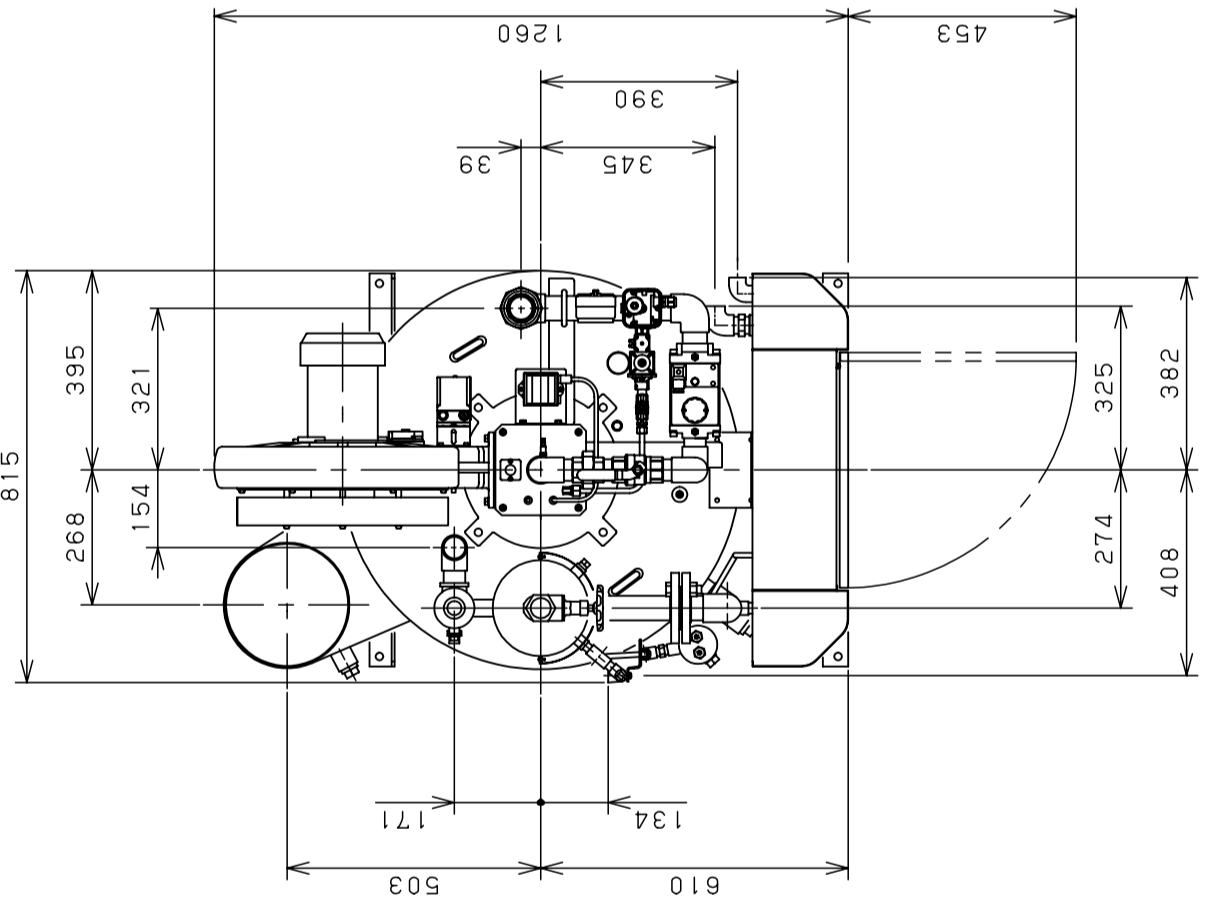


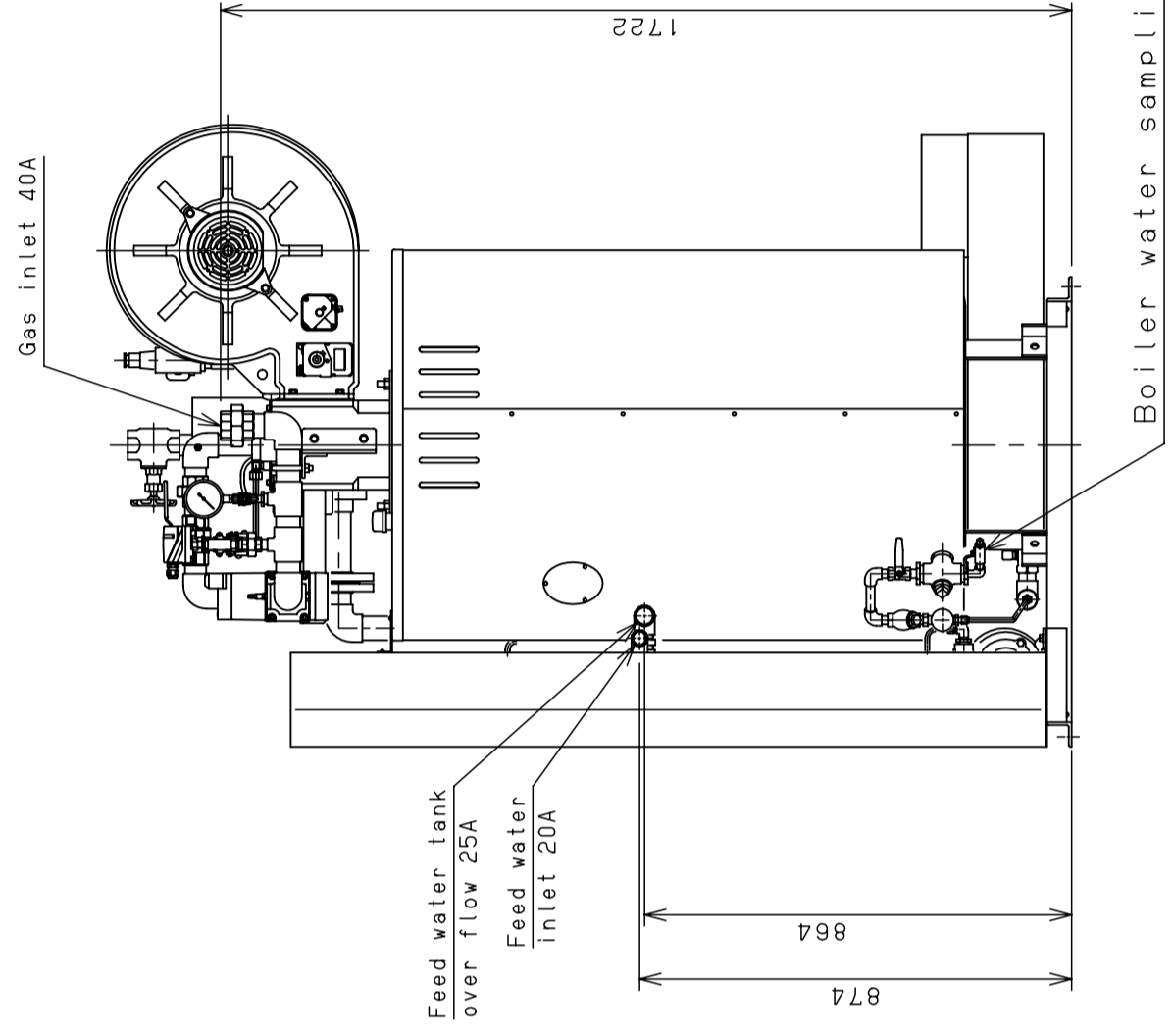
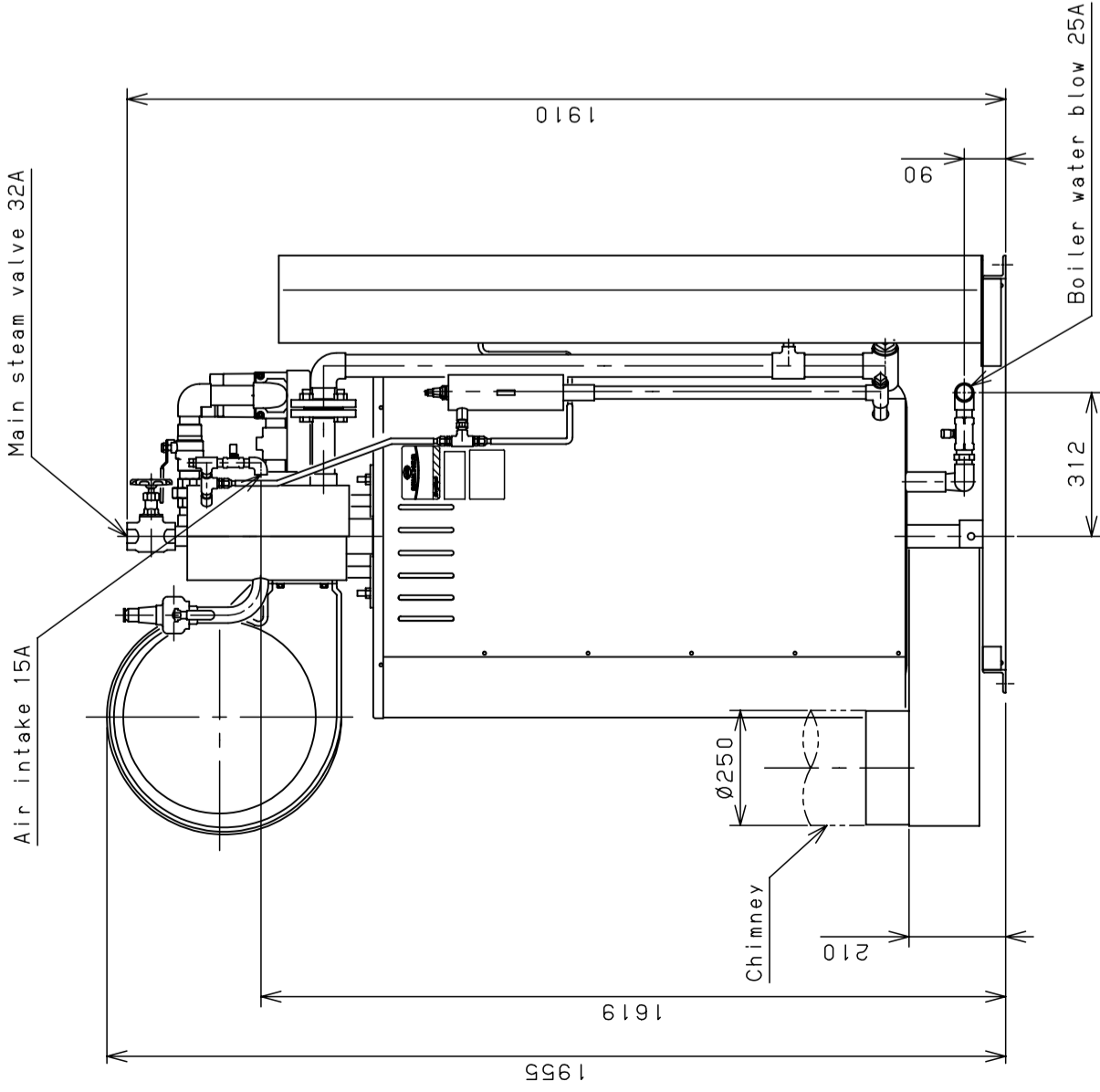
MODEL		Sid-500N
Equivalent evaporation	Kg/h	500
Max. pressure	MPa	0.98
Boiler efficiency	%	85
Fuel type	-	13A•LPG
Fuel consumption		
13A	Low 40.8MJ/m ³ (N)	m ³ (N)/h 32.7
LPG (propane)	Low 93.7MJ/m ³ (N)	m ³ (N)/h 14.2
LPG (butane)	Low 46.4MJ/kg	kg/h 28.6
LPG (butane)	Low 118.9MJ/m ³ (N)	m ³ (N)/h 11.2
LPG (butane)	Low 45.7MJ/kg	kg/h 29.1
Supply gas pressure	13A KPa	2.0±0.5
LPG	KPa	2.8±0.5
Weight	kg	650
Weight in operation	kg	735
Available power	KW	1.55
Type of boiler	-	Once-Through Boiler

#Above specifications are based on the following standard values:
 Steam pressure =0.49MPa
 Feed water temp. =150
 Feed air temp. =35C
 Low heating value =

#The following tolerances are accepted as unavoidable:
 Measurement error in boiler efficiency ±2%
 Measurement error in combustion(input) ±3.5%



Anchor position



Boiler water sampling valve

REVISIONS	
..	..
..	..
..	..
..	..
..	..

APPROVED BY	CUSTOMER	NAME	
T. Kameyama		1 / 15	BOILER OUTLINE
CHECKED BY		SCALE	DIMENSIONS
T. Nishiyama			
DESIGNED BY		DATE	Sid-500N
DRAWN BY	K. Ohki	14. 3. 3	
		DWG. No.	SD50N-NG1-NN11043030
		SAMSON CO., LTD.	