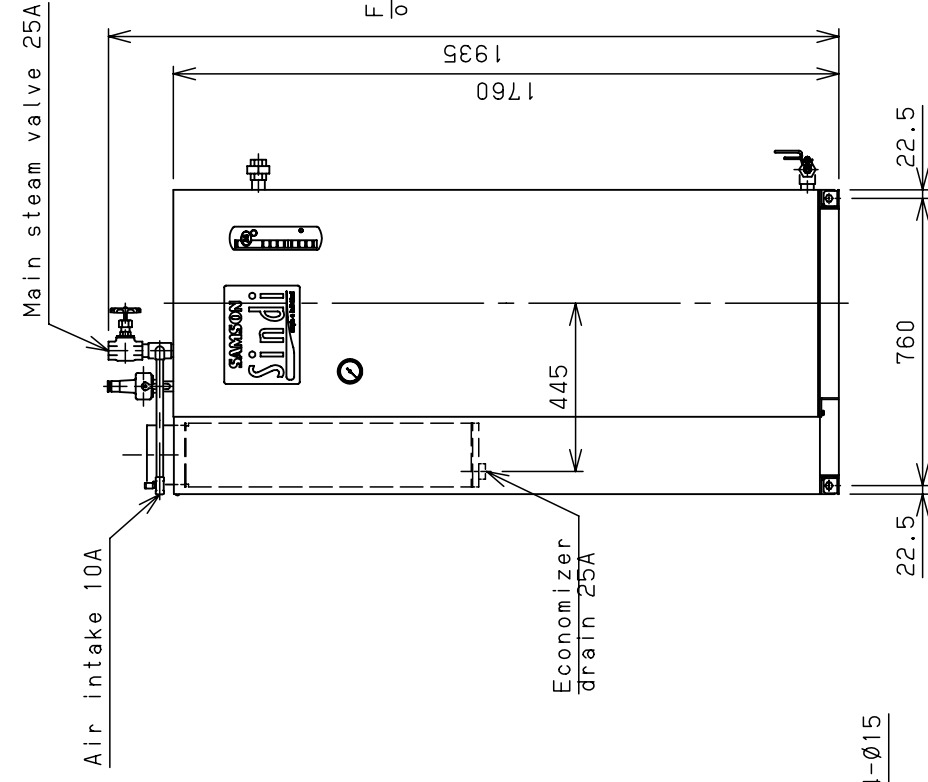
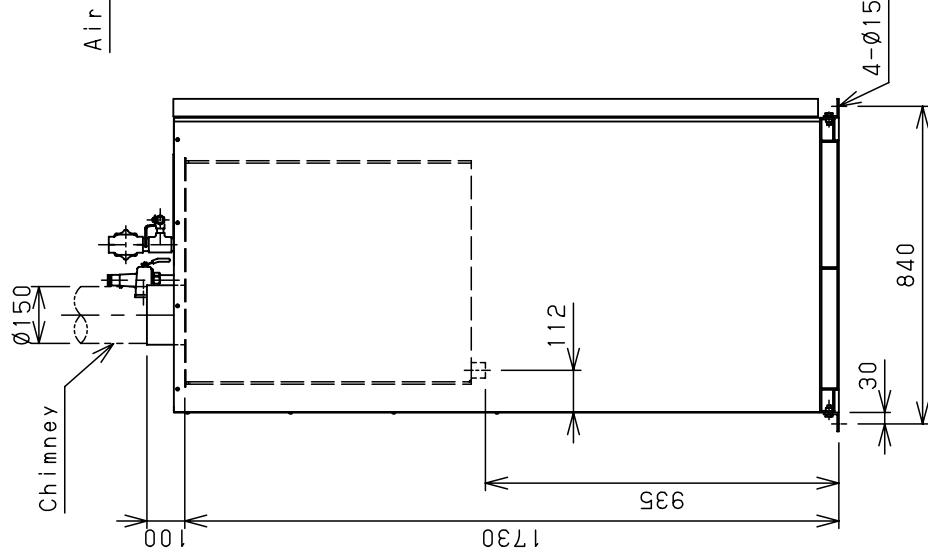


MODEL		Sid-250PN	
Equivalent evaporation	kg/h	250	
Max. pressure	MPa	0.98	
Boiler efficiency	%	96	
Fuel type	-	13A•LPG	
Fuel consumption			
13A	Low 40.6MJ/m <sup>3</sup> (N)	m <sup>3</sup> (N)/h	14.5
LPG (propane)	Low 93.7MJ/m <sup>3</sup> (N)	m <sup>3</sup> (N)/h	6.3
	Low 46.4MJ/kg	kg/h	12.7
LPG (butane)	Low 118.9MJ/m <sup>3</sup> (N)	m <sup>3</sup> (N)/h	4.9
	Low 45.7MJ/kg	kg/h	12.9
Supply gas pressure	13A LPG	kPa	2.0±0.5 2.8±0.5
Weight		kg	570
Weight in operation		kg	630
Available power		kW	0.85
Type of boiler			Once-Through Boiler

\*Above specifications are based on the following standard values:

Steam pressure =0.48MPa  
 Feed water temp. =15℃  
 Feed air temp. =35℃  
 Low heating value -

\*The following tolerances are accepted as unavoidable:  
 Measurement error in boiler efficiency ±2%  
 Measurement error in combustion(input) ±3.5%



APPROVED BY		CUSTOMER	
T. Kameyama		SCALE	1 / 20
T. Nishiyama		NAME	BOILER OUTLINE DIMENSIONS
		DATE	14 3 . 3
			Sid-250PN
			DWG. No. SD25P-NG1 -NNN104303

REVISIONS	
..	
..	
..	
..	
..	

NOTE : Please install the plates of anchor bolt (provided as accessories) at your side.