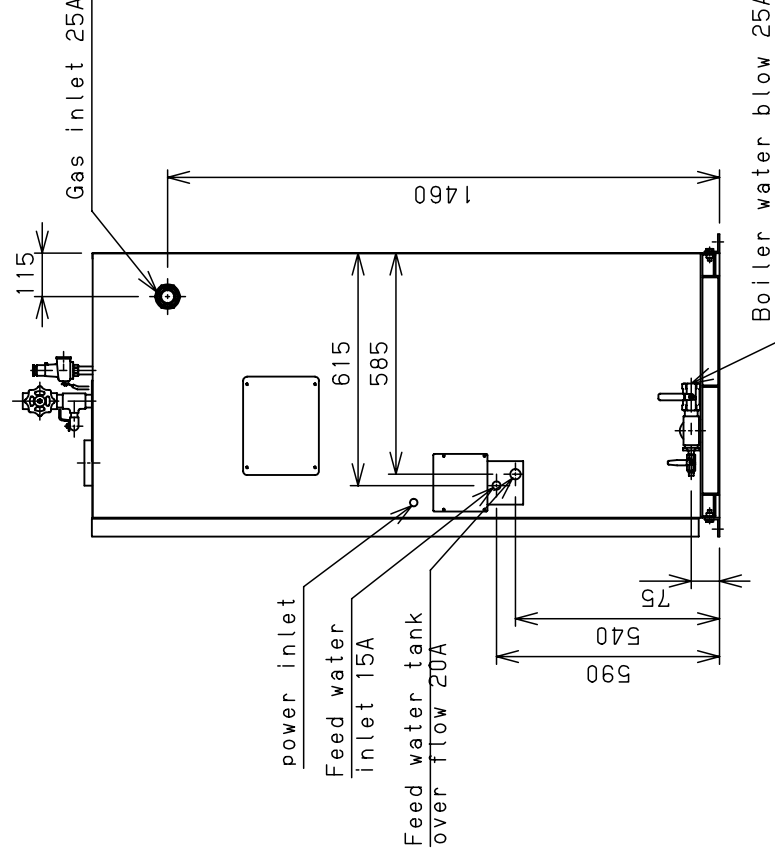
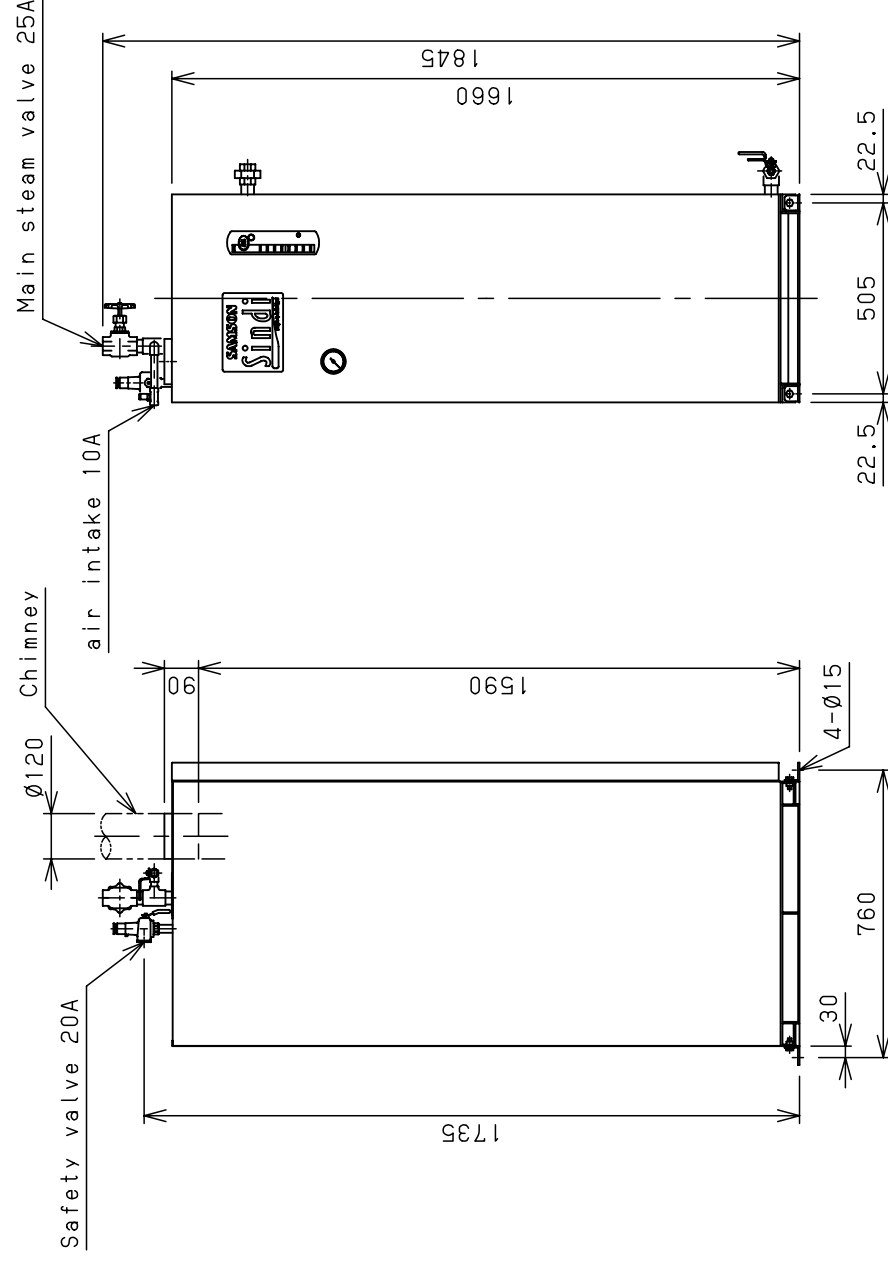


MODEL		Sid-160N	
Equivalent evaporation	kg/h	160	
Max. pressure	MPa	0.69	
Boiler efficiency	%	88	
Fuel type	-	13A•LPG	
Fuel consumption			
13A	Low 40.6MJ/m ³ (N)	m ³ (N)/h	10.1
LPG (propane)	Low 93.7MJ/m ³ (N)	m ³ (N)/h	4.4
	Low 46.4MJ/kg	kg/h	8.8
LPG (butane)	Low 118.9MJ/m ³ (N)	m ³ (N)/h	3.5
	Low 45.7MJ/kg	kg/h	9.0
Supply gas pressure	13A LPG	kPa	2.0±0.5 2.8±0.5
Weight		kg	330
Weight in operation		kg	370
Available power		kW	0.45
Type of boiler			Once-Through Boiler

*Above specifications are based on the following standard values:

Steam pressure =0.49MPa
 Feed water temp. =15℃
 Feed air temp. =35℃
 Low heating value -

*The following tolerances are accepted as unavoidable:
 Measurement error in boiler efficiency ±2%
 Measurement error in combustion(input) ±3.5%



NOTE : Please install the plates of anchor bolt (provided as accessories) at your side.

APPROVED BY		CUSTOMER	
T. Kameyama		SCALE	1 / 20
T. Nishiyama		NAME	BOILER OUTLINE DIMENSIONS
		DATE	14 3 . 3
			Sid-160N
			DWG. No. SD16N-NG1 -NNN104303

REVISIONS

SAMSON CO., LTD.

0204