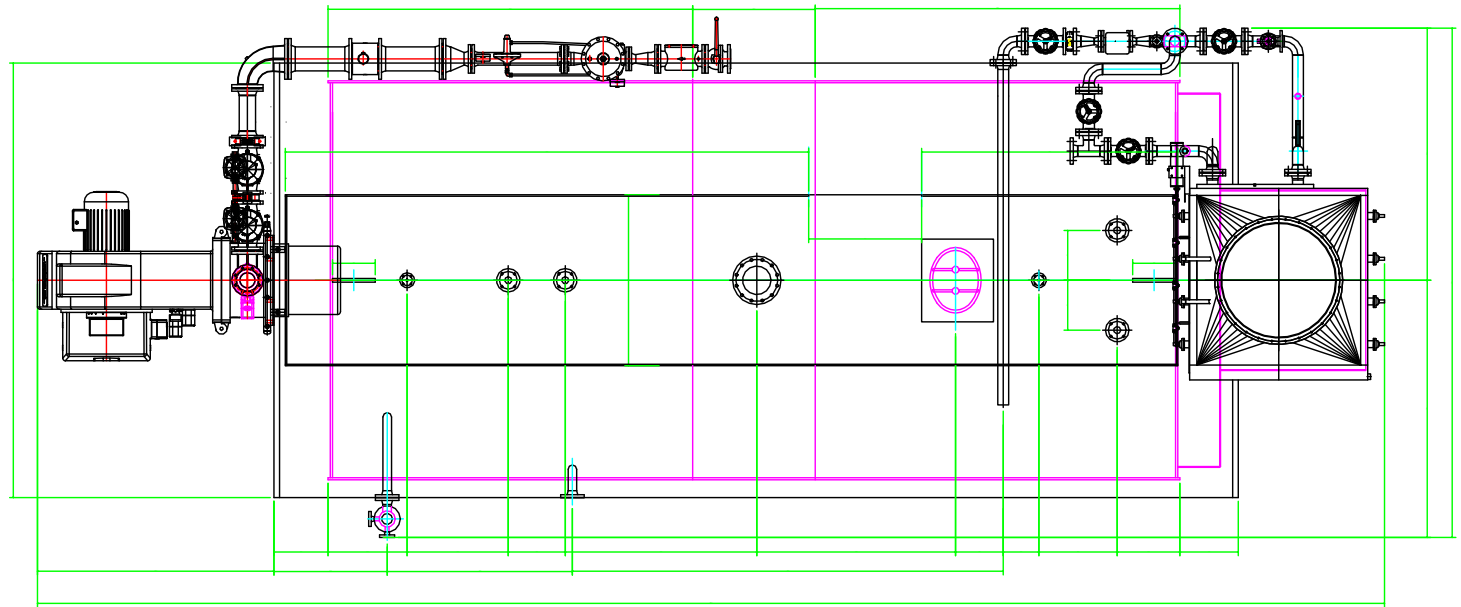
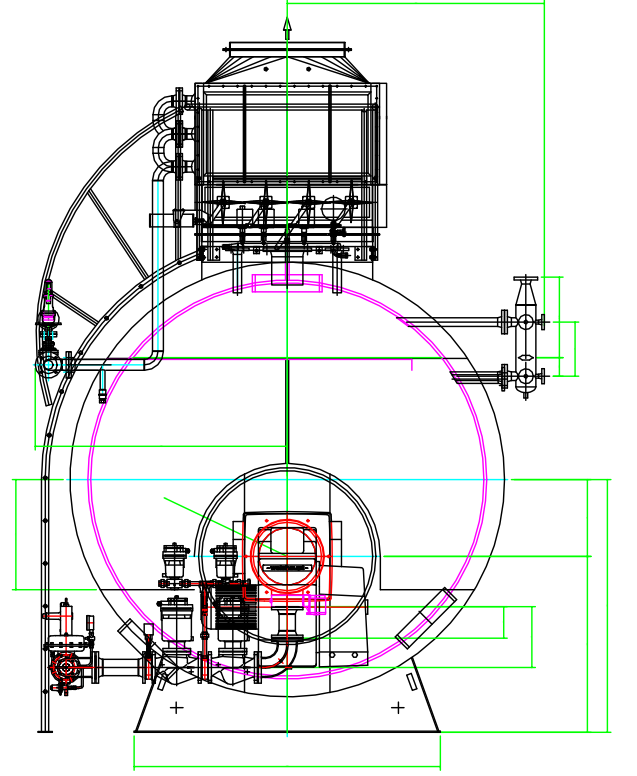
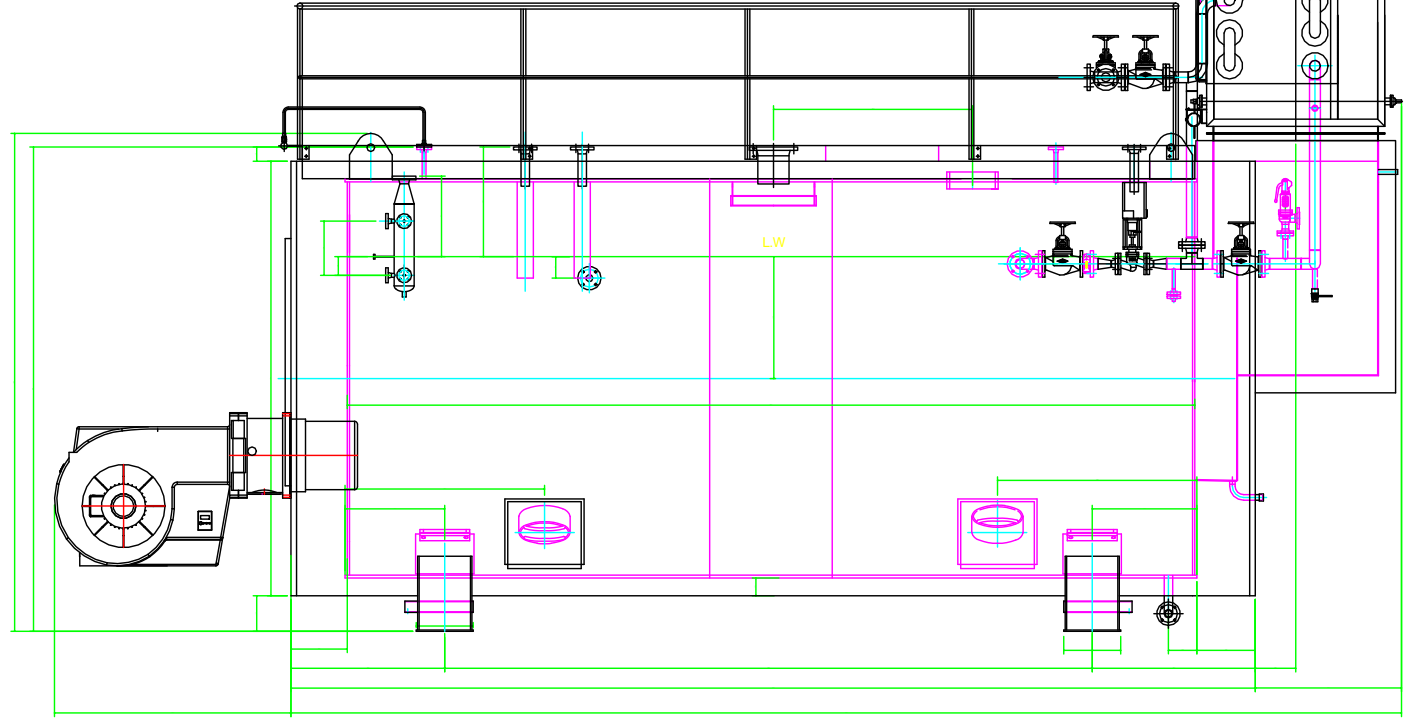
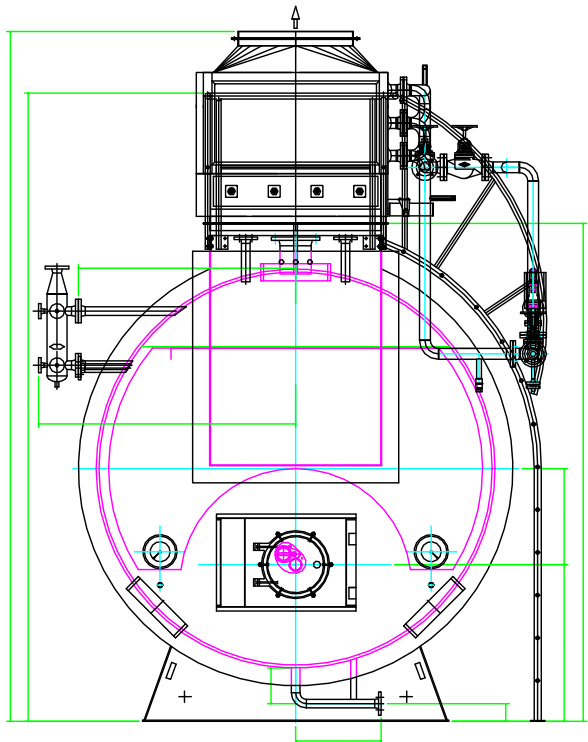


A B C D E F G H I K L M N O P Q R

1
2
3
4
5
6
7
8
9
10
11
12



GENTILE-LL

Order no. 13-0896 - CARLSBERG

Tube materials : P 235 GH / EN 10217-2 / 3.1 certfic.
Flange materials : C22.8 / DIN17243. / 3.1 certfic.

15	Cleaning cover.	2	
14	Handling brackets.	4	
13	Lifting eye	2	
12	Inspection door/Observation	1	
11	Man hole.	320x420mm.	3
10	Branch for blow-off valve.	50mm.	1 Pn.16 DIN 2633
9	Feed water branch.	65mm.	1 Pn.16 DIN 2633
8	Branch for water-gauge.	50mm.	2 Pn.16 DIN 2633
7	Branch for safety valve.	50mm.	2 Pn.16 DIN 2633
6	Branch for dry boiling safety	50mm.	1 Pn.40 DIN 2635
5	Branch for water level safety	50mm.	5 Pn.40 DIN 2635
4	Branch for steam.	200mm.	1 Pn.16 DIN 2633
3	Water test branch.	50mm.	1 Pn.16 DIN 2633
2	Branch for air valve.	20mm.	1 Pn.16 DIN 2633
1	Manometer branch.	20mm.	1 Pn.16 DIN 2633
Pos	Description.		pcs

A	10.03.2014	ECO rør ændret i. h. t. kundensøske.	FRA
#	Date	Revision	Name

Danstoker a/s
Industrivej Nord 13, P.O. Box 193, DK-7400 Herning
TE: +45 99 28 71 00, Fax: +45 99 28 71 11

Arrangement
OPTI 1200
Design pressure : 13,0 baro
Test pressure : Acc. to PED 97/EC
Max. temperature : 195°C

Målforkhold: 1:25

INT.	DATE	HONTR.	DATO.
FRA	13-11-2013	XX	XX

A1-350-0135A-

Tolerancer iht. EN 33920-1 Class C
Alle mål mod isolering 15mm

Denne tegning er vor ejendom og må i henhold til ulovlig konkurrence ikke gøres tilgængelig for andre firmaers repræsentanter.
This drawing is our property and may not according to unfair trading laws be made accessible to representatives of other firms.