

Design Pressure: 10 bar  
Design temperature: 184 °C

Material:  
- Kabinett: AISI 304  
- Tubes, Plates and Fins: AISI 304

Insulation:  
- side of cabinet  
- inspection door  
- bottom of cabinet

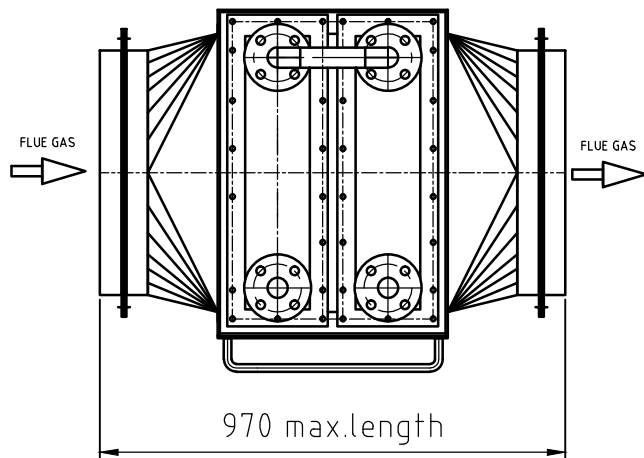
Insulation type:  
INSULFRAX  
grade 1100/50mm,  
cover: p10,5mm (blue side), alu tab

Stud welding:  
- elements bolts,  
- inspection door bolts

Finishing:  
pickling of welded joints

Tolerances of linear  
and angular dimensions:  
ISO 2768-1-coarse

**TOP VIEW**



0	2014-03-14	ans	krb	msc	
Revision	Date	Sign.	Check	Appr.	Comments
Customer:					
This drawing is the property of Boilerworks A/S and may not be reproduced or copied in whole or part, or used for furnishing information without the written permission from Boilerworks A/S.					
<p>Boilerworks A/S - Papegøjevej 7 - DK-6270 Tønder Tlf. +45 73 64 48 50 - Fax +45 73 64 48 51 - e-mail: info@boilerworks.dk - www.boilerworks.dk</p>				To be made:	1
				Scale:	1"
				Total weight:	Kg.
				Format:	A3
Description					
Eco Typ 080-12-056-4,5RS-50/6					
Plant Name				Drawing No.	
Danstoker				320079-2700-05	
				Rev.	
				00	